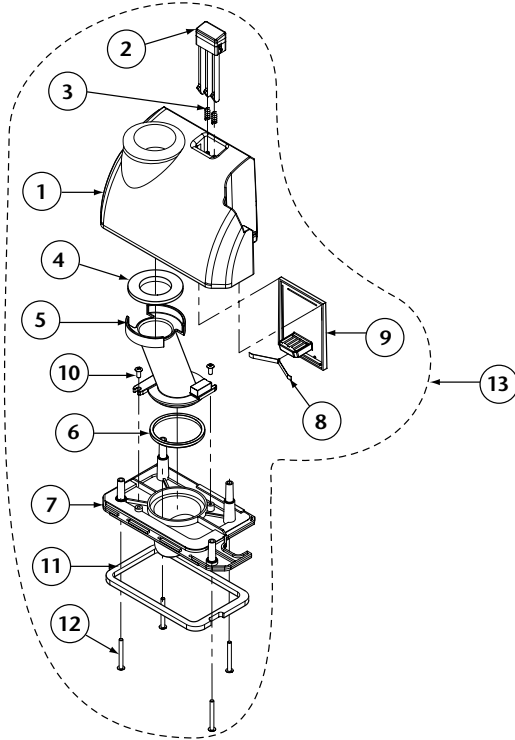
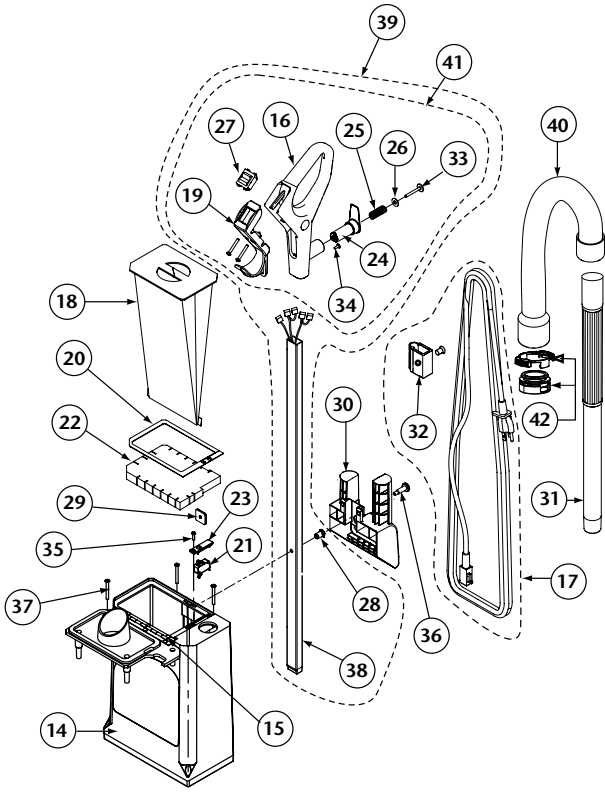


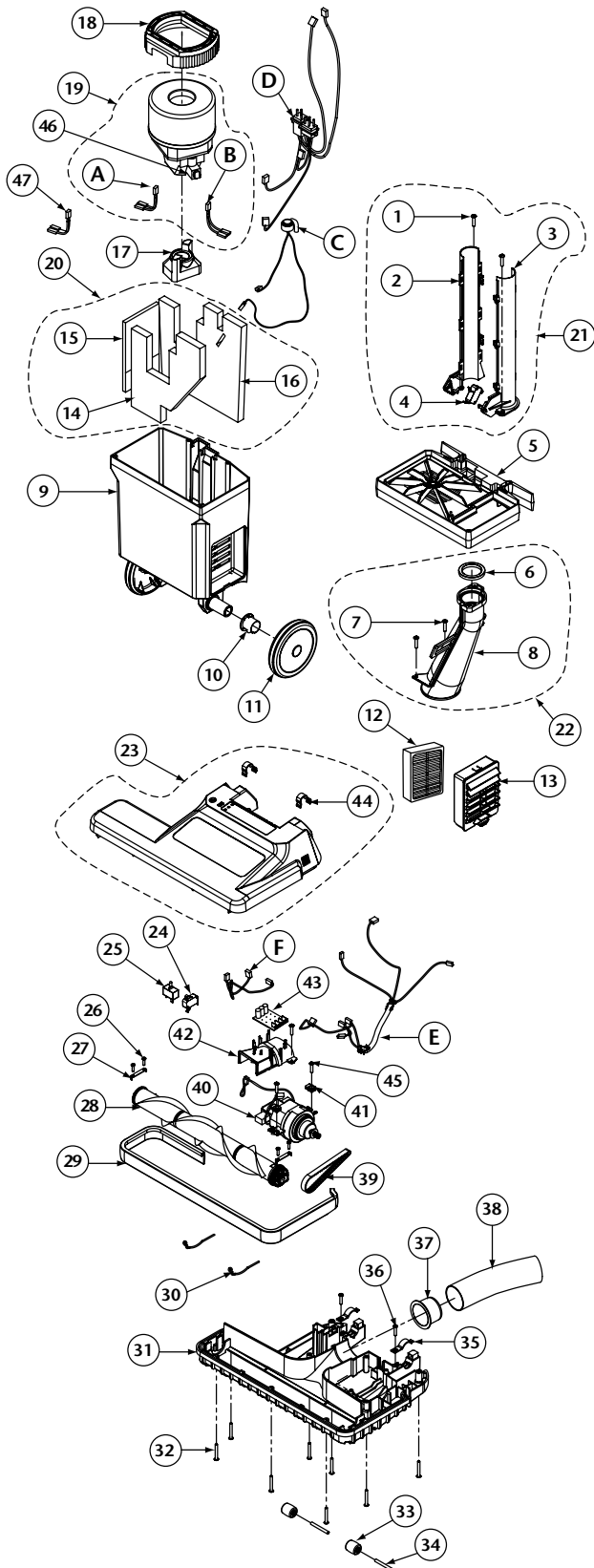
PROFORCE 1500XP PARTS



No.	Product Name	Qty	List Price
1	104234 Cover, Bag Housing, Grey F/XP	1 ea.	\$15.00
2	104232 Latch, Release, Bag Cover	1 ea.	4.00
3	104233 Spring, Release Button, F/Bag Cover Latch	2/pk	2.00
4	104235 Seal, Transition Duct/Bag Cover, Upper	1 ea.	3.00
5	104236 Duct, Transition, Bag Cover, F/XP	1 ea.	6.00
6	104238 Seal, Transition Duct/Bag Cover Nozzle Plate, Lower	1 ea.	2.00
7	104239 Plate, Bag Cover Nozzle, F/XP	1 ea.	4.68
8	104242 Spring, Bag Cover Latch	1 ea.	3.00
9	104243 Plate, Bag Cover Latch	1 ea.	2.20
10	104505 Screw, Phillips, 4.2mm x 9.5mm	2/pk	2.00
11	104241 Gasket, Bag Cover	1 ea.	2.20
12	104493 Screw, Phillips, 4.2mm x 38mm	4/pk	3.00
13	105486 Filter Cover Kit w/Riveted Hinge and 6 Rivets (includes: #1-12)	1 kit	39.60
14	104490 Bag Housing Assembly, Grey w/Riveted Hinge & Decal Includes Bag Cover Nozzle Plate	1 ea.	36.00
15	104491 Rivet F/Bag Housing Assembly	6/pk	3.00
16	104255 Handle w/Over Mold and Decal	1 ea.	20.00
17	104284 Cord, Power, w/Strain Relief, 50' Yellow	1 ea.	30.80
18	103483 Intercept Micro Filter	10/pk	9.99
19	105088 Handle Bezel w/Screws	1 ea.	7.15
20	104738 Seal, Gasket, Bag Housing	1 ea.	2.20
21	104283 Switch, Filter, Lock-Out	1 ea.	9.35
22	104281 Filter, Double Layer Motor Intake	1 ea.	2.20
23	104282 Cover, Switch, Filter Lock-out	1 ea.	2.20
24	104268 Bracket, Cord Wrap	1 ea.	4.00
25	104269 Spring, Compression, Cord Wrap Bracket	1 ea.	2.20
26	104270 Washer, Compression Spring, Cord Wrap Bracket	1 ea.	1.00
27	105147 Switch, Rocker, On/Off	1 ea.	12.00
28	104264 Bushing, Handle Tube	1 ea.	1.10
29	104259 Plate, Handle Nut	1 ea.	1.10
30	104265 Handle, Carry w/Tool Caddy, F/XP	1 ea.	5.00
31	104294 Wand, F/XP	1 ea.	13.20
32	105091 Clasp, Strain Relief Kit w/Fastner, Yellow	1 ea.	5.00
33	104271 Screw, Cord Wrap, 4mm x 35mm, Phillips Round Head	1 ea.	2.00
34	104509 Screw, Phillips, M4 x 10mm x .07 Pitch, F/Handle Assembly	1 ea.	2.00
35	105075 Screw, Phillips, 2.9mm x 13mm, F/Switch Cover	1 ea.	3.00
36	104266 Screw, Handle Assembly	1 ea.	1.10
37	104493 Screw, Phillips, 4.2mm x 35mm	4/pk	3.00
38	104958 Handle, Tube w/Wire Harness, Rivet Nut and Plug Rivet	1 ea.	24.20
39	104959 Handle, Tube Assembly Complete, F/XP (includes: #16, 19, 24, 25, 26, 27, 28, 33, 34, 38)	1 ea.	54.45
40	104961 Hose, Assembly w/Cuffs, F/XP (includes: #42)	1 ea.	38.50
41	105502 Handle Kit (includes: #16, 19, 24, 25, 26, 27, 33, 34)	1 kit	36.00
42	105573 Quick Release Hose Cuff	1 ea.	6.00



PROFORCE 1500XP PARTS



No.	Product Name	Qty	List Price
1	104209 Screw, Phillips, 4.2mm x 12mm F/Wand Guide	2/pk	\$2.00
2	104261 Guide, Wand, Upper Left	1 ea.	3.00
3	104260 Guide, Wand, Upper Right	1 ea.	3.00
4	104263 Switch, Wand Lockout	1 ea.	6.60
5	104245 Bulkhead, Dark Grey	1 ea.	6.60
6	104253 Seal, Lower Air Duct , Nitrile	1 ea.	1.10
7	104267 Screw, Phillips, 4.2mm x 19mm F/Lower Air Duct	2/pk	2.00
8	104250 Air Duct Assembly	1 ea.	9.35
9	104536 Motor Housing, Charcoal	1 ea.	24.00
10	104504 Bearing, Pivot	2/pk	3.00
11	104306 Wheel, Rear	2/pk	11.00
12	105136 Filter, Exhaust, HEPA Media	1 ea.	6.00
13	104246 Cover, Filter Cartridge, Charcoal	1 ea.	4.50
14	103532 Foam, Sound, Motor Housing, Front Panel	1 ea.	4.68
15	103533 Foam, Sound, Motor Housing, Left Panel	1 ea.	2.75
16	103531 Foam, Sound, Motor Housing, Rear Panel	1 ea.	6.60
17	104247 Motor Mount, Lower Nitrile	1 ea.	5.50
18	104249 Motor Mount, Upper Nitrile	1 ea.	9.35
19	104957 Motor Assembly w/Jumpers (includes: A, B)	1 kit	66.00
20	105488 Motor Housing Sound Filter (includes: #14,15,16)	1 kit	13.20
21	105490 Wand Kit (includes: #1, 2, 3, 4)	1 kit	8.80
22	105489 Air Duct Kit (includes: #6, 7, 8)	1 kit	9.90
23	104494 Power Nozzle Cover w/Detent Springs & Decal	1 ea.	22.00
24	104279 Switch, Safety, Power Nozzle Lockout	1 ea.	6.60
25	104212 Circuit Breaker	1 ea.	7.00
26	104496 Screw, Phillips, 2.9mm x 35mm, F/Brush Retainer	4/pk	2.00
27	104499 Retainer, Brush Roll	2/pk	2.20
28	104216 Brush Roll, Power Nozzle, 14"	1 ea.	25.00
29	104218 Bumper, Power Nozzle, Vinyl	1 ea.	6.00
30	104500 Brace, Formed Wire, F/Power Nozzle Base	2/pk	2.20
31	104221 Baseplate, Power Nozzle	1 ea.	28.00
32	104497 Screw, Phillips, 4.2mm x 35mm F/Base Cover	8/pk	3.00
33	104501 Roller, Front	2/pk	4.00
34	104502 Shaft, Front Roller Axle	2/pk	2.20
35	104503 Clamp, Rear Wheel	1 set	3.85
36	104495 Screw, Phillips, 4.2mm x 19mm F/Powerhead	5/pk	3.00
37	104227 Sleeve, Hose, Air Duct	1 ea.	2.20
38	104230 Hose, Power Nozzle to Air Duct, Lower	1 ea.	3.00
39	104217 Belt, Drive, F/Brush Roll	1 ea.	5.00
40	104506 Motor, Power Nozzle with Crimps	1 ea.	45.00
41	104498 Grommet, Vibration, Power Nozzle Motor, Nitrile	2/pk	2.20
42	104224 Cover, Air Duct, Power Nozzle	1 ea.	4.13
43	104226 Board, Vacuum Operation Indicator	1 ea.	8.00
44	104507 Spring, Detent, Upright Lock	2/pk	3.00
45	105371 Screw, Phillips, 4.2mm x 19mm, F/Power Nozzle Motor	2/pk	2.00
46	105281 Carbon Brush Set for ProForce Motor	1 set	18.48
47	105760 Thermal Protector	1 ea.	8.25
105754	Wire Harness Kit includes:	1 set	28.50
	A. Harness, Jumper, Red		
	B. Harness, Jumper, White		
	C. Sensor, Bag Full Indicator		
	D. Harness, Main Power Supply		
	E. Harness, Wire, Power Nozzle		
	F. Harness, Power Nozzle Switch		