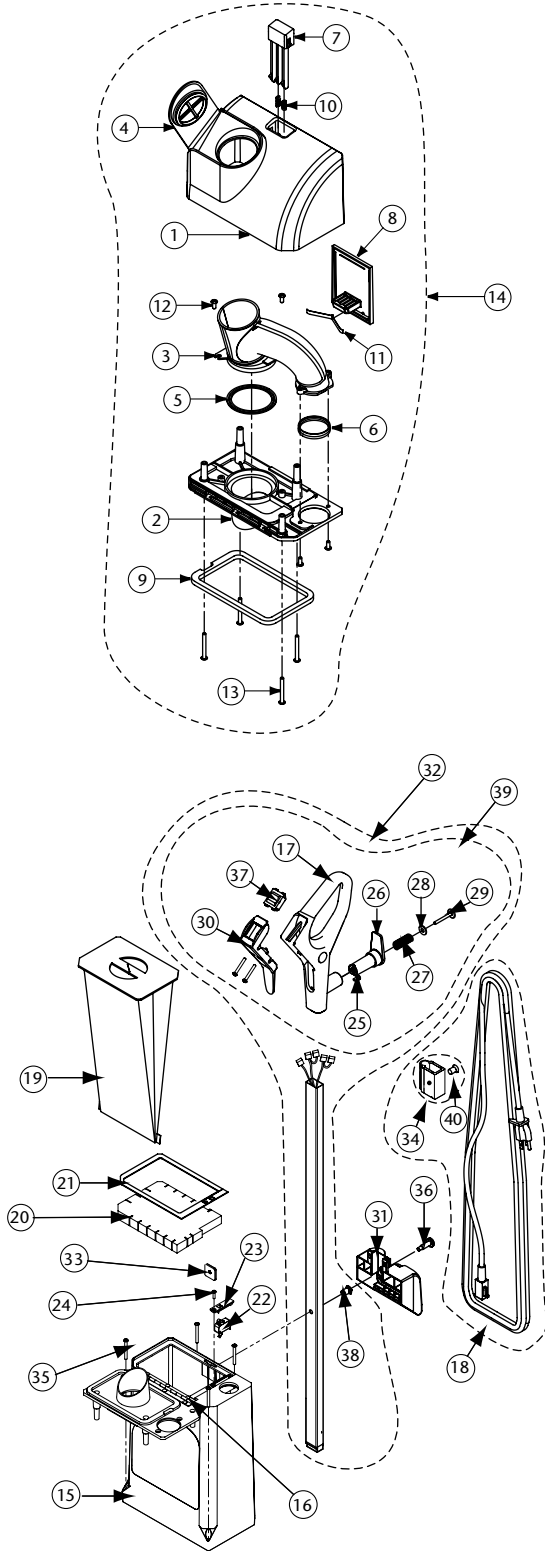
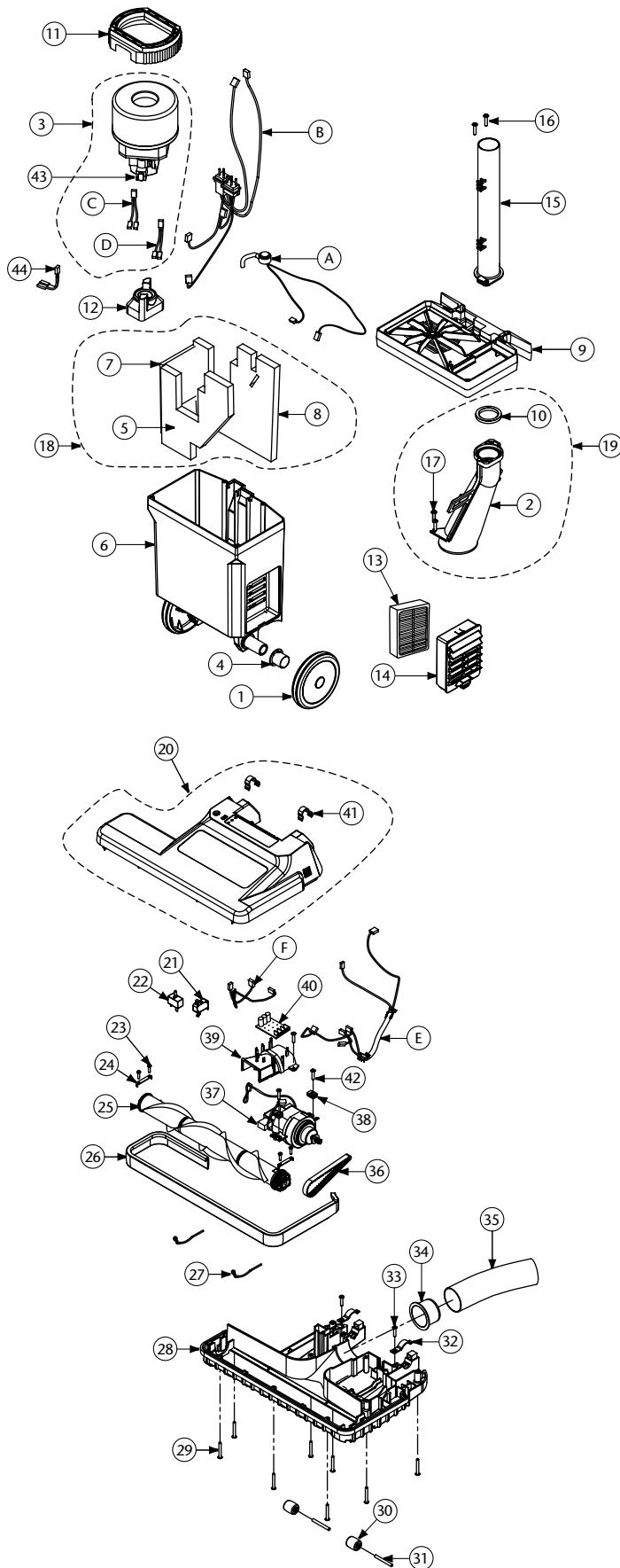


PROFORCE 1500 PARTS



| No. | Product Name | Qty | List Price |
|-----|--|-------|------------|
| 1 | 104569 Cover, Bag Housing, Grey | 1 ea. | \$ 16.54 |
| 2 | 104570 Plate, Bag Cover Nozzle | 1 ea. | 5.51 |
| 3 | 104571 Duct, Crossover, Bag Cover | 1 ea. | 7.89 |
| 4 | 104574 Plug, Access Port | 1 ea. | 3.31 |
| 5 | 104575 Seal, Crossover Duct/Bag Cover Nozzle Plate, Lower | 1 ea. | 2.21 |
| 6 | 104576 Seal, Crossover Duct, Inlet | 1 ea. | 2.21 |
| 7 | 104232 Latch, Release, Bag Cover | 1 ea. | 4.41 |
| 8 | 104243 Flex Plate, Bag Cover Latch | 1 ea. | 2.43 |
| 9 | 104241 Seal, Gasket, Bag Cover | 1 ea. | 2.43 |
| 10 | 104233 Spring, Release Button, F/Bag Cover Latch | 2/pk | 2.21 |
| 11 | 104242 Spring, Bag Cover Latch | 1 ea. | 3.31 |
| 12 | 104577 Screw, Phillips, 4mm x 9.5mm | 4/pk | 2.16 |
| 13 | 104493 Screw, Phillips, 4mm x 38mm | 4/pk | 4.05 |
| 14 | 105491 Filter Cover Kit, w/Riveted Hinge and 6 Rivets (includes: #1-13) | 1 kit | 38.81 |
| 15 | 104739 Bag Housing Assembly, Grey, w/Riveted Hinge and Decal Includes Bag Cover Nozzle Plate | 1 ea. | 39.69 |
| 16 | 104491 Rivet F/Bag Housing Assembly | 6/pk | 3.31 |
| 17 | 104255 Handle w/Over Mold and Decal | 1 ea. | 22.05 |
| 18 | 104284 Cord, Power Clasp, 50' Yellow (includes: #34, 41) | 1 ea. | 33.96 |
| 19 | 103483 Intercept Micro Filter | 10/pk | 10.99 |
| 20 | 104281 Filter, Motor Intake | 1 ea. | 2.89 |
| 21 | 104738 Seal, Gasket, Bag Housing | 1 ea. | 2.43 |
| 22 | 104283 Switch, Filter, Lock-Out | 1 ea. | 10.31 |
| 23 | 104282 Cover, Switch, Filter Lock-out | 1 ea. | 2.43 |
| 24 | 105075 Screw, Phillips, 2.9mm x 13mm, F/Switch Cover | 1 ea. | 3.94 |
| 25 | 104509 Screw, Phillips, F/Handle Assembly M4 x 10mm x .07 Pitch | 1 ea. | 2.21 |
| 26 | 104268 Bracket, Cord Wrap | 1 ea. | 4.41 |
| 27 | 104269 Spring, Compression, Cord Wrap Bracket | 1 ea. | 2.43 |
| 28 | 104270 Washer, Compression Spring, Cord Wrap Bracket | 1 ea. | 1.10 |
| 29 | 104271 Screw, Cord Wrap, 4mm x 35mm Phillips Round Head | 1 ea. | 2.21 |
| 30 | 105090 Handle Bezel w/Screws (old style) | 1 ea. | 7.74 |
| | 106740 Handle Bezel w/Screws (new style) | 1 kit | 7.74 |
| 31 | 104741 Handle, Carry | 1 ea. | 4.85 |
| 32 | 106615 Handle, Tube Assembly Complete (includes: #17, 25, 26, 27, 28, 29, 30, 36, 38, 39) | 1 kit | 60.03 |
| 33 | 104259 Plate, Handle Nut | 1 ea. | 1.22 |
| 34 | 105091 Clasp, Strain Relief Kit w/Fastener (includes:#41) | 1 ea. | 6.07 |
| 35 | 104493 Screw, Phillips, 4.2mm x 35mm | 4/pk | 4.05 |
| 36 | 104266 Screw, Handle Assembly | 1 ea. | 1.35 |
| 37 | 105147 Switch, Rocker, On/Off | 1 ea. | 13.23 |
| 38 | 104264 Bushing, Handle Tube | 1 ea. | 1.22 |
| 39 | 106614 Handle Kit (includes: #17, 25, 26, 27, 28, 29, 30, 38) | 1 kit | 39.69 |
| 40 | 105320 Ratchet Fastener | 1 ea. | 4.73 |

PROFORCE 1500 PARTS



| No. | Product Name | Qty | List Price |
|--------|---|-------|------------|
| 1 | 104306 Wheel, Rear | 2/pk | \$ 12.13 |
| 2 | 104250 Air Duct | 1 ea. | 10.31 |
| 3 | 104957 Motor Assembly Kit w/Jumpers (includes: C, D) | 1 ea. | 72.77 |
| 4 | 104504 Bearing, Pivot | 2/pk | 3.31 |
| 5 | 103532 Foam, Sound, Motor Housing Front Panel | 1 ea. | 5.16 |
| 6 | 104536 Motor Housing, Charcoal | 1 ea. | 32.20 |
| 7 | 103533 Foam, Sound, Motor Housing Left Panel | 1 ea. | 3.03 |
| 8 | 103531 Foam, Sound, Motor Housing Rear Panel | 1 ea. | 7.28 |
| 9 | 104245 Bulkhead, Dark Grey | 1 ea. | 14.63 |
| 10 | 104253 Seal, Lower Air Duct, Nitrile | 1 ea. | 1.22 |
| 11 | 104249 Motor Mount, Upper Nitrile | 1 ea. | 10.31 |
| 12 | 104247 Motor Mount, Lower Nitrile | 1 ea. | 6.07 |
| 13 | 105136 Filter, Exhaust, HEPA Media | 1 ea. | 6.62 |
| 14 | 104246 Cover, Filter Cartridge, Charcoal | 1 ea. | 4.97 |
| 15 | 104578 Air Duct, Upper ProForce 1500 | 1 ea. | 6.62 |
| 16 | 104209 Screw, Phillips, 4mm x 12mm, F/Upper Air Duct | 2/pk | 2.63 |
| 17 | 104267 Screw, Phillips, 4mm x 12mm, F/Lower Air Duct | 2/pk | 3.98 |
| 18 | 105488 Motor Housing Sound Filter Kit (includes: #5, 7, 8)1 kit | | 14.55 |
| 19 | 105489 Air Duct Kit (includes: #2, 10, 16) | 1 kit | 10.92 |
| 20 | 104494 Power Nozzle Cover w/Detent Springs & Decal | 1 ea. | 29.95 |
| 21 | 104279 Switch, Safety, Power Nozzle Lockout | 1 ea. | 13.08 |
| 22 | 104212 Circuit Breaker | 1 ea. | 16.35 |
| 23 | 104496 Screw, Phillips, 2.9mm x 13mm, F/Brush Retainer4/pk | | 5.05 |
| 24 | 104499 Retainer, Brush Roll | 2/pk | 2.43 |
| 25 | 104216 Brush Roll, Power Nozzle, 14" | 1 ea. | 28.90 |
| 26 | 104218 Bumper, Power Nozzle, Vinyl | 1 ea. | 6.62 |
| 27 | 104500 Brace, Formed Wire, F/Power Nozzle Base | 2/pk | 2.43 |
| 28 | 104221 Baseplate, Power Nozzle | 1 ea. | 37.60 |
| 29 | 104497 Screw, Phillips, 4mm x 35mm F/Base Cover | 8/pk | 5.73 |
| 30 | 104501 Roller, Front | 2/pk | 4.41 |
| 31 | 104502 Shaft, Front Roller Axle | 2/pk | 2.43 |
| 32 | 104503 Clamp, Rear Wheel | 1 set | 4.24 |
| 33 | 104495 Screw, Phillips, 4mm x 19mm, F/Powerhead | 5/pk | 3.31 |
| 34 | 104227 Sleeve, Hose, Air Duct | 1 ea. | 2.43 |
| 35 | 104230 Hose, Power Nozzle to Air Duct, Lower | 1 ea. | 5.60 |
| 36 | 104217 Belt, Drive, F/Brush Roll | 1 ea. | 5.51 |
| 37 | 104506 Motor, Power Nozzle with Crimps | 1 ea. | 71.75 |
| 38 | 104498 Grommet, Vibration, Power Nozzle Motor, Nitrile2/pk | | 2.43 |
| 39 | 104224 Cover, Air Duct, Power Nozzle | 1 ea. | 4.56 |
| 40 | 104226 Board, Vacuum Operation Indicator | 1 ea. | 8.82 |
| 41 | 104507 Spring, Detent, Upright Lock | 2/pk | 3.31 |
| 42 | 105371 Screw, Phillips, 4.2mm x 19mm, F/Power Nozzle Motor | 2/pk | 2.21 |
| 43 | 105281 Carbon Brush Set for ProForce Motor | 1 set | 19.98 |
| 44 | 105760 Thermal Protector | 1 ea. | 8.92 |
| 105755 | Wire Harness Kit includes: | 1 set | 31.43 |

- A. Sensor, Bag, Full Indicator
- B. Harness, Wire, Main Power Supply
- C. Harness, Jumper, White
- D. Harness, Jumper, Red
- E. Harness, Wire, Power Nozzle
- F. Harness, Power Nozzle Switch